



Audipack 700 series, designed to be displayed

The Audipack 700 series flat panel floor stands are more than just a product, they are presentation solutions offering many advantages. A unique variety of products based on one specially designed concept. A concept that has resulted in a wide range of standardized Audipack products, but also offers the possibility of customizing, tailored to individual needs. The Audipack 700 series is a range of supports and stands for flat panels which offers precision combined with flexibility. This concept complies with the functional, technical and aesthetical demands of today's professional presentation. Creating a base for numerous applications where design, safety, user-friendliness and flexibility are key elements. The Audipack 700 series is equipped with the Audipack Lock&Secure mounting system.

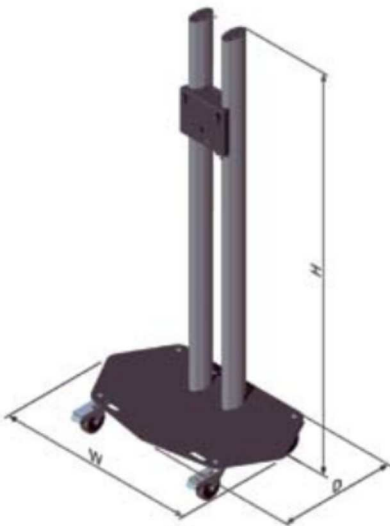
Features

- ▲ 3 integrated separate cable channels per column
- ▲ Dividable versions with quick release fixations
- ▲ Detachable column (cable) covers
- ▲ Portrait or landscape flat panel positioning
- ▲ Continuously adjustable flat panel height
- ▲ Standard or custom built models available



Floor stands L&S 3


Ref.	390700	390701	390702	390707	390708
Type	Floor stand	Dividable floor stand	Dividable floor stand	Dividable floor stand	Floor stand
Dimensions in mm	W 900 x D 450 x H 1821	W 900 x D 450 x H 1829	W 900 x D 530 x H 2029	W 900 x D 530 x H 1829	W 900 x D 530 x H 1821
Max. diagonal flat panel	55 inch	55 inch	63-65 inch	63-65 inch	63-65 inch
Nett weight	± 39 Kg	± 45 Kg	± 46 Kg	± 49 Kg	± 42 Kg
Max. load	60 Kg	60 Kg	60 Kg	85 Kg	85 Kg

Floor stands on wheels L&S 3


Ref.	390704	390705
Type	Floor stand on wheels	Dividable floor stand on wheels
Dimensions in mm	W 900 x D 530 x H 1804	W 900 x D 530 x H 1812
Max. diagonal flat panel	55 inch	55 inch
Nett weight	± 40 Kg	± 51 Kg
Max. load	60 Kg	60 Kg



**All Audipack flightcases are made on request.
Size, colour and way of use is customers choice.**